

W30B-TO

Appliance Designation	Wine Storage
GTIN	5061068710459
EEL Class	F
Rated EEL	124
Noise Level dB(A)	38dB
Noise Class	C
Rated annual energy consumption	102kWh/annum
Climate Class	T - 16-43°C
Compressor	Inverter compressor
Refrigerant	R600A
Fan Assisted Cooling	Yes
Ventilation Required	Plinth ventilation essential
Temperature Range	5 to 20°C
Zone Type	1 zone
Defrosting Type	Manual
Installation	Undercounter
Door	Black glass - triple glazed
Door Handle	Push to open
Door Open Direction	RH hinged
Reversible Door	Yes
Door-Open Alarm Function	Yes
Lock	No
Capacity (L)	77L
Standard Storage Quantity	33 x 750mL Bordeaux/Burgundy bottles
Shelves	5 Beech wood shelves + base shelf
Shelf Type	Telescopic
Light	Strip LED - 3000-6000k + RGB (dimnable)
Auto. Lighting Function	Yes
Control	TFT touch screen display - full colour
Control Display Colour	Full colour
Charcoal Filter	Yes
Softclose	Yes
Heating Ability	No
Internal Humidity	55-85% - automatic
Vibration Free	Yes
Power Lead Length	1.5m
Adjustable Feet	Yes - 70mm
Warranty	3 years P & L
Furniture Fixing	Fixing brackets supplied - must be fixed

Body Dimension / Weight

820 x 597 x 450mm (h x w x d)

55kg

Packing Dimension / Weight

1000 x 700 x 700 (h x w x d)

60kg

****This product MUST be fixed to furniture to avoid tilting.**

ENERGY LABEL



102 kWh/annum



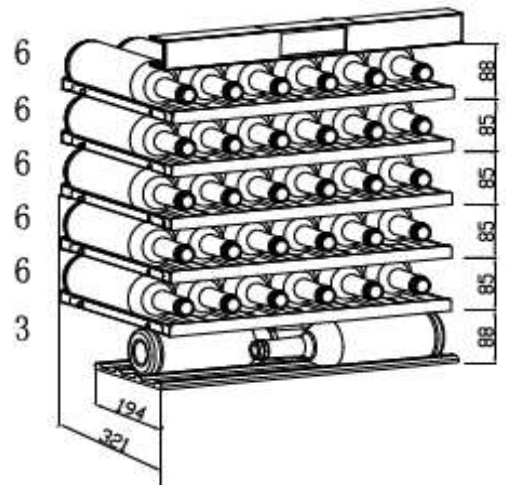
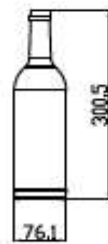
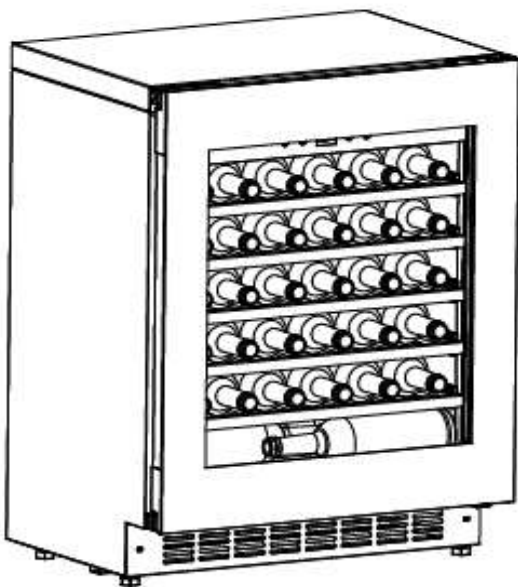
33



9102/06/2016

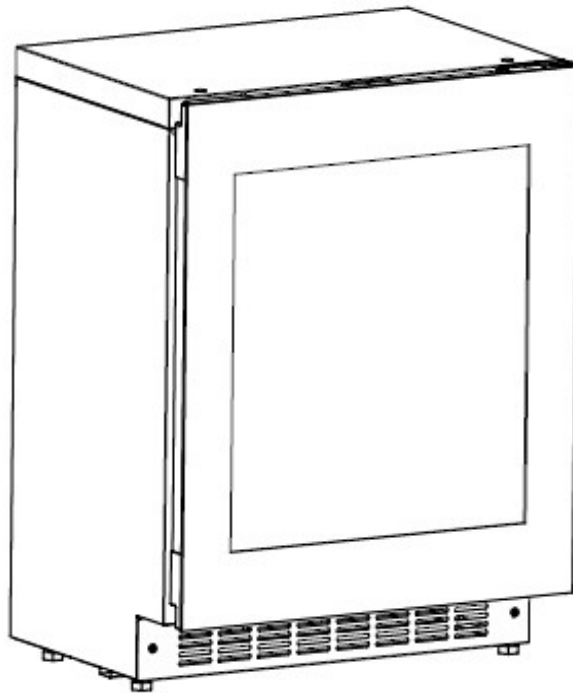
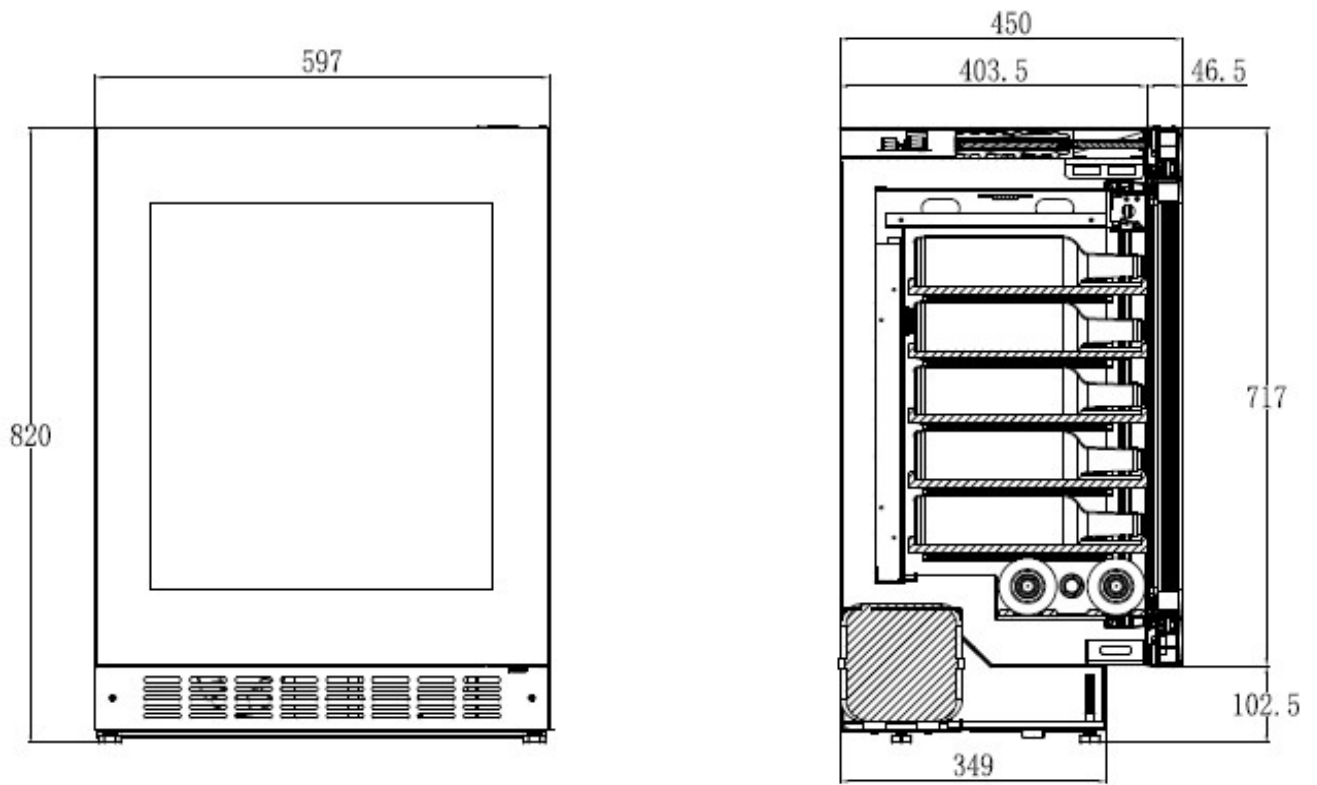
BOTTLE LOADING

BOTTLE LOADING DIAGRAM



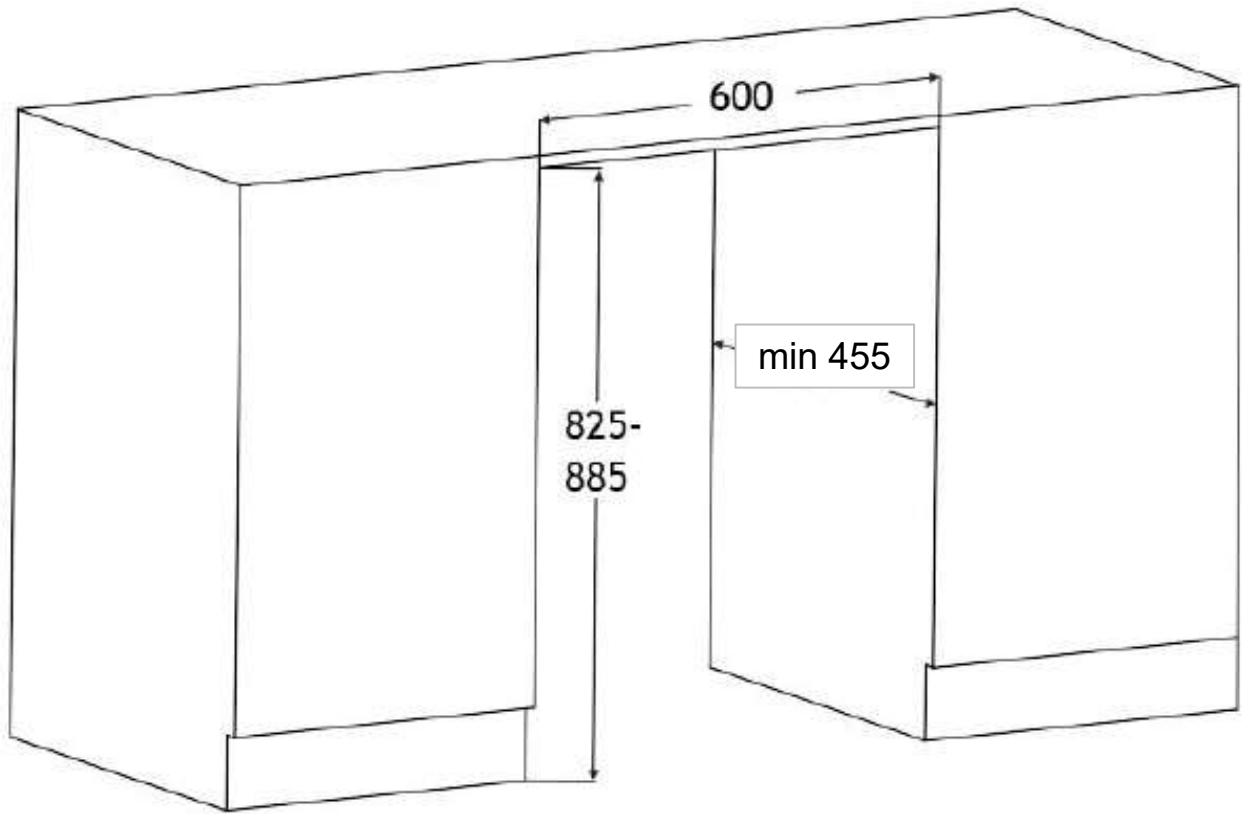
Please note - larger bottles may require a shelf removing and the stated capacity will decrease from 33 Bordeaux bottles.

INSTALLATION



PLEASE NOTE - DIMENSIONS CAN VARY BY +/- 2mm DUE TO MANUFACTURING TOLERANCES, ALL DIMENSIONS GIVEN IN MILLIMETRES (mm)

NICHE DIMENSIONS



PLEASE NOTE - DIMENSIONS CAN VARY BY +/- 2mm DUE TO MANUFACTURING TOLERANCES, ALL DIMENSIONS ARE GIVEN IN MILLIMETRES (mm)