

## WI-24B-TO

Appliance Designation	Wine Storage
GTIN	5061068710527
EEL Class	F
Rated EEL	89
Noise Level dB(A)	36dB
Noise Class	C
Rated annual energy consumption	97 kWh/annum
Climate Class	T - 18-43°C
Compressor	Inverter compressor
Refrigerant	R600A
Fan Assisted Cooling	Yes
Ventilation Required	Plinth ventilation and service channel
Temperature Range	5 to 20°C
Zone Type	2 zone
Defrosting Type	Manual
Installation	In column / integrated
Door	Black glass
Door Handle	Push2open
Door Open Direction	RH hinged
Reversible Door	Yes
Door-Open Alarm Function	Yes
Lock	No
Capacity (L)	62L
Standard Storage Quantity	24 x Bordeaux/Burgundy (750mL)
Shelves	3 Wooden shelves + base shelf
Shelf Type	Telescopic rails
Light	LED - 3000-6000k (dimnable) + RGB
Auto. Lighting Function	Yes
Control	TFT touch display - full colour
Control Display Colour	Full colour
Charcoal Filter	Yes
Softclose	Yes
Heating Ability	Yes
Internal Humidity	55-85% - automatic
Vibration Free	Yes
Power Lead Length	1.5m
Adjustable Feet	Yes - 15mm
Warranty	3 years P & L

### Body Dimension / Weight

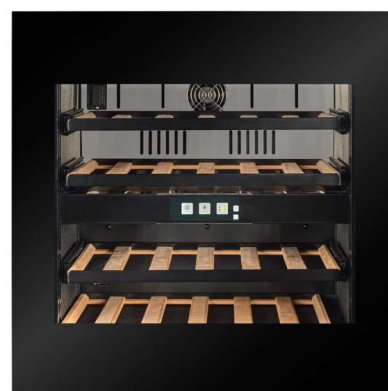
H595 x W595 x D575mm

47kg

### Packing Dimension / Weight

H680 x W700 x D700mm

52kg



# ENERGY LABEL



ELITE WINE REFRIGERATION LTD

WI-24B-TO



**97** kWh/annum



**24**

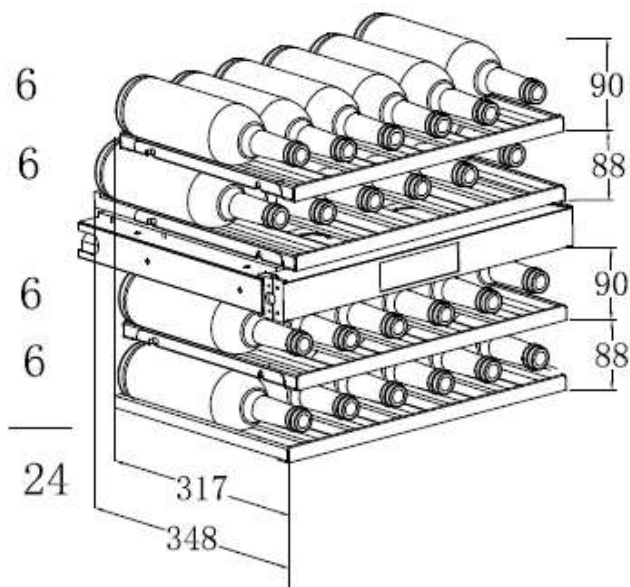
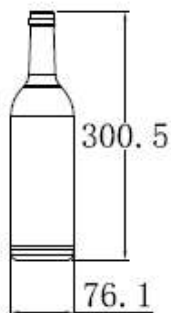
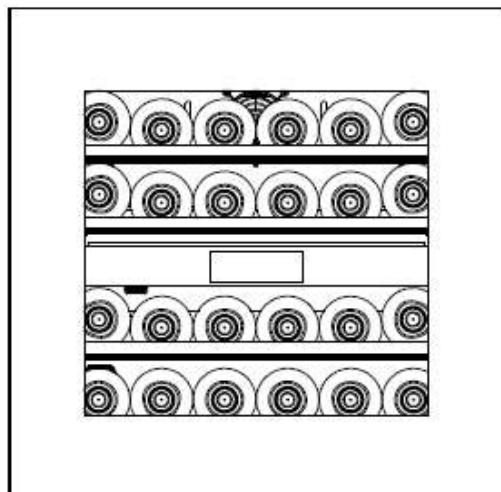


ABCD

2019/2016

## BOTTLE LOADING

### BOTTLE LOADING DIAGRAM



Please note - larger bottles may require a shelf removing and the stated capacity will decrease from 24 Bordeaux bottles.

# INSTALLATION

